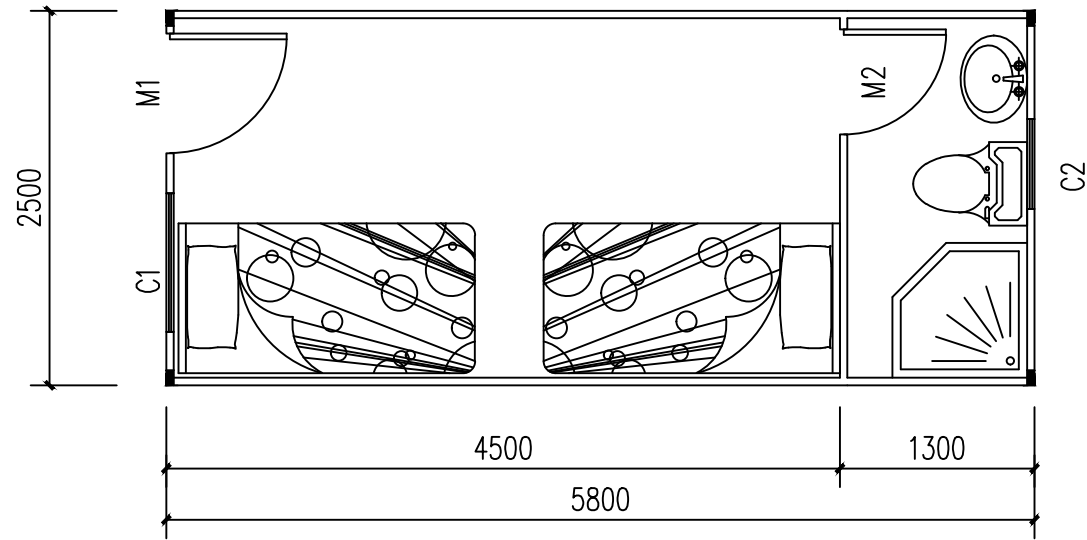
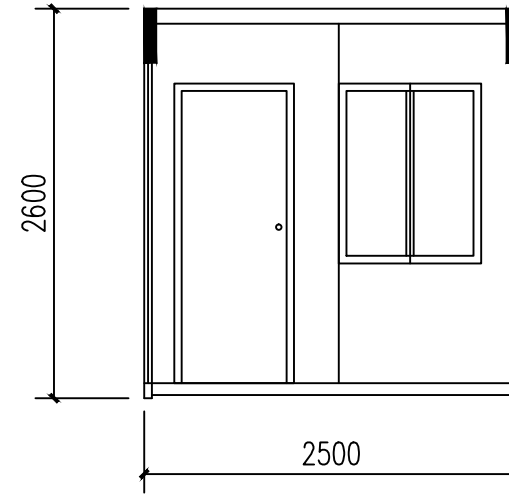


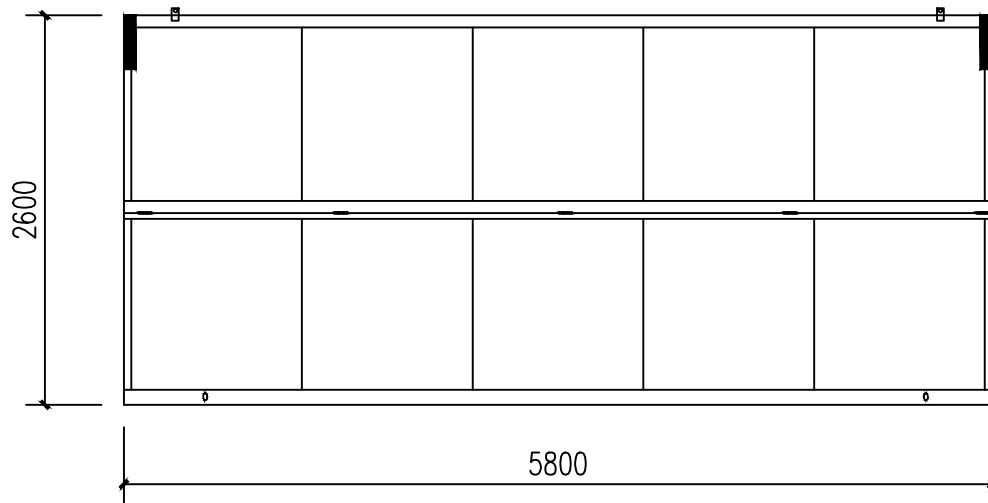
Folding Container house with toilet 2.5mX5.8mX2.6H



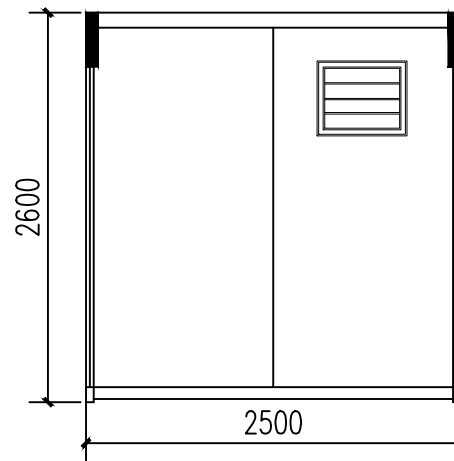
Plan



Front Side View



Front Elevation



Right Side View

Door & window list

Type	Design No.	Size(mm)	QTY	Remark
Door	M1	800X2000	1	IEPS sandwich panel door
	M2	700X2000	1	IEPS sandwich panel door
Window	C1	925X1230	1	Aluminum sliding window
	C2	600X500	1	Aluminum shutter window

Client / 客户 :		
Design Consultant / 设计顾问 :		
Coordinating Architect / 协调建筑师 :		
M&E Consultant / 机电顾问 :		
General contractors / 总承包商 :		
WELLCAMP CO FOSHAN WELLCAMP BUILDING MATERIALS CO.,LTD		
Note / 注意: All measurement are in metrical system must be checked at site. Do not scale drawing. All design drawing are copyright and the property of FOSHAN WELLCAMP bulking materials co.,ltd		
所有尺寸均以米制系统为准，必须在现场进行核对。所有设计图纸均为佛山威尔康建筑材料有限公司版权所有。		
Rev.	Description	Issue date
Project Title / 项目名称 :		
Drawing Title / 图名 :		
Design By / 设计 :	Checked By / 审核 :	
Drawn By / 绘图 :	Approved By / 批准 :	
Date / 日期 :	Scale / 比例 :	
Job No / 工号 :		
Factory Code / 厂号 :		
Group No / 组号 :		
Designer Dwg No / 设计图号 :		
Dwg No / 图号 :	Page	