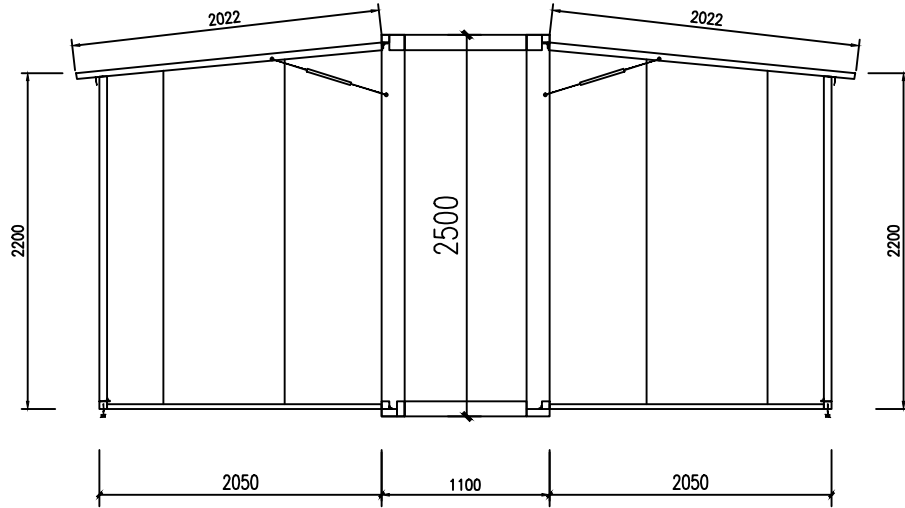


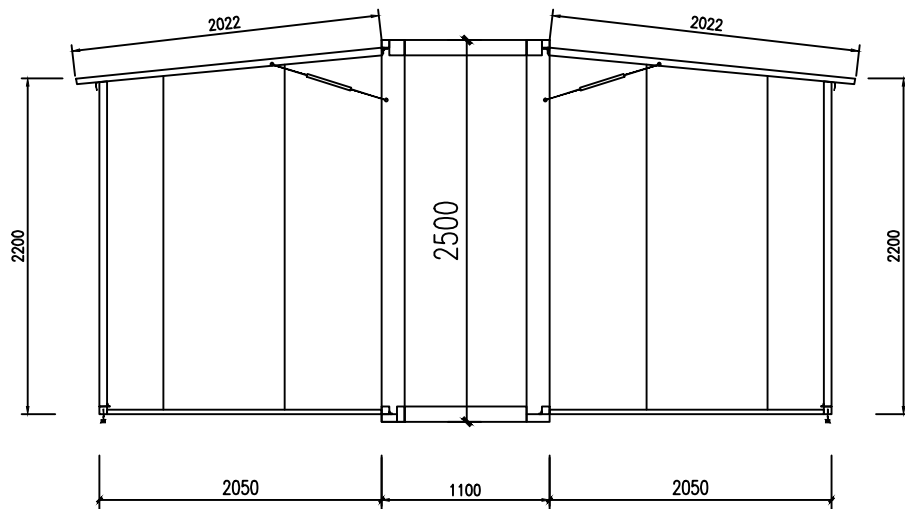
Autodesk



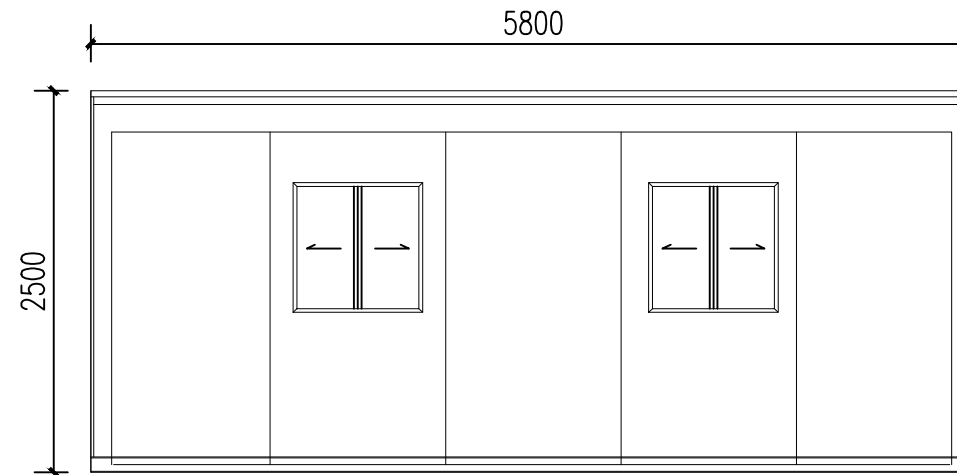
Front elevation



Left elevation



Back elevation



Right elevation

Autodesk

Client / 客户 :		
Design Consultant / 设计顾问 :		
Coordinating Architect / 协调建筑师 :		
M&E Consultant / 机电顾问 :		
General contractors / 总承包商 :		
WELLCAMP CO FOSHAN WELLCAMP BUILDING MATERIALS CO.,LTD		
<small>Note / 注意:</small> All measurement are in metrical system must be checked at site. Do not scale drawing. All design drawing are copyright and the property of FOSHAN WELLCAMP bulking materials co.,ltd		
<small>所有尺寸均以米制系统为准，必须在现场核对。不得按图缩放。所有设计图纸均为佛山威力康建筑材料有限公司版权所有，未经许可不得擅自复制或传播。违者必究。</small>		
Rev.	Description	Issue date
Project Title / 项目名称 :		
Drawing Title / 图名 :		
Design By / 设计 :	Checked By / 校核 :	
Drawn By / 绘图 :	Approved By / 审核 :	
Date / 日期 :	Scale / 比例 :	
Job No / 工单号 :		
Factory Code / 工厂代码 :		
Group No / 组别号 :		
Designer Dwg No / 设计图号 :		
Dwg No / 图号 :	Page	

Autodesk

Autodesk